

All-uPVC patio door with welded sash

**The quietest, most
thermally efficient
door available on
the market today.**

This all-uPVC patio door series opens up the future to a new generation of premium-quality all-uPVC doors with a host of outstanding features and benefits.





The **sound barrier**

Peace and quiet come naturally with these patio doors. A hallmark of quality living for over 25 years, they're still regarded today as one of the world's most innovative and popular patio door systems. You'll get the ultimate in thermal performance and sound abatement. Multi-chamber profiles, triple weather stripping at side stiles and triple-contact weather stripping at meeting stiles virtually eliminate outside noise.

You'll also enjoy peace of mind with our superior locking system that lets you sleep secure, knowing your doors will stay closed. And since PVC resists the effects of weather, our patio door is virtually maintenance-free—it will not rot, rust, pit or blister. Available in 2-panel, 3-panel and 4-panel configurations, with 5 standard widths and 2 standard heights.

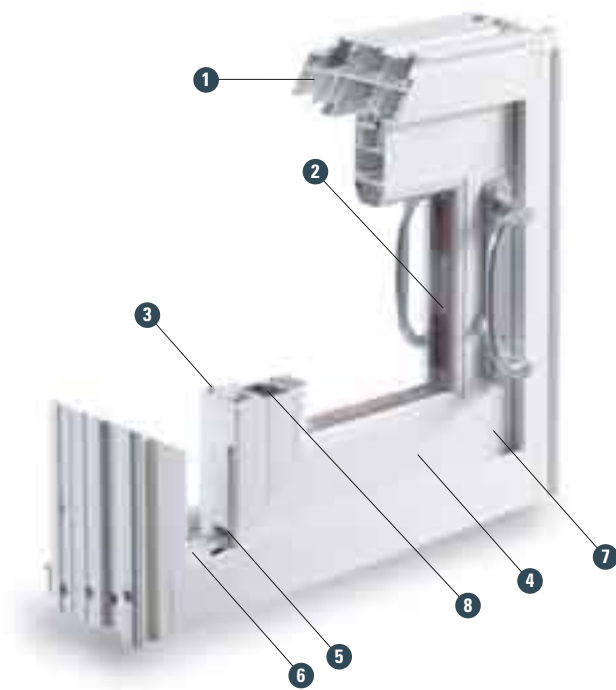
The door for all seasons

PVC doors are built to perform in the toughest conditions. We test our doors against the most stringent industry standards for air and water infiltration, wind-load resistance, ease of operation, forced entry and much more.

Which means you'll have lower heating and air-conditioning costs, easier cleaning and low-cost maintenance, in addition to increased comfort—total performance satisfaction year round, for years and years to come.

The test of time

Doors made with our components are built to stand the test of time. You'll enjoy a "hassle-free" door system—performance, durability and elegance guaranteed for years of regular use.



- 1 Strong and deep multi-chamber profiles offer greater thermal efficiency and increased sound abatement.
- 2 Exterior glazing bead allowing to welcome glass thickness up to 1".
- 3 Triple weather stripping on posts and double weather stripping at the junction improve insulation, virtually eliminating airinfiltration.
- 4 Operating panel slides effortlessly.
- 5 Exclusive sliding system featuring adjustable dual tandem 1" wheels ensures smooth, easy and quiet operation (patented).
- 6 Exclusive, high-performance patented water draining system incorporated to the lower sill.
- 7 Top-of-the-range sash design.
- 8 Integration of steel reinforcement without loss in energy efficiency.

Standard features

Original Vice-Versa™ feature

The direction of opening can be changed from left to right or vice-versa simply by reversing the panels and re-snapping our exclusive wheel system.



This patio door perfectly complements our high-end window profiles for a spectacular look.



Sturdy screen

Rugged features—rigid enameled aluminium alloy frame, self-cleaning tracks, anodized aluminium track built into sill—ensure smooth operation.

Extruded screen with stainless steel screws and patented adjustable spring loaded suspension system in each corner are designed not to derail or jam.



Embedded handle

The embedded handle creates an even more distinctive look and avoids any handle noticeable from outside.



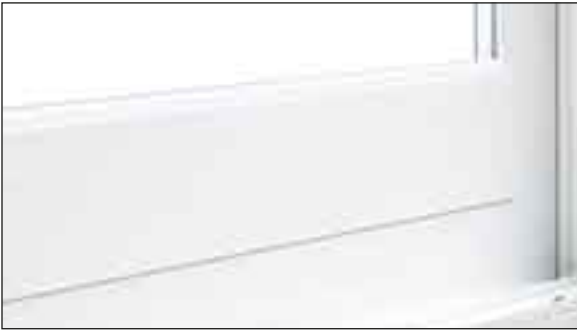
1" Glass with integrated mini-blinds

It is possible to use glass with integrated aluminum mini-blinds, for a maintenance-free privacy.



Increased protection

Fixed and mobile panel rails meet and interlock perfectly, making removal from outside almost impossible. Lower sill design provides safer entry and exit.



A statement in style

Patio doors create a distinctive look that no other building feature can provide. You can integrate French-style decorative panels into the look of your home without paying the high costs normally associated with this type of design.

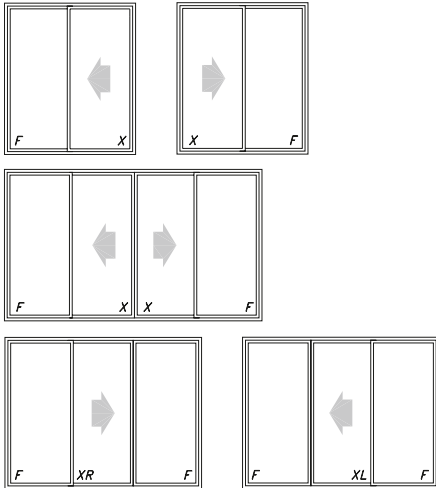
Hardware and options



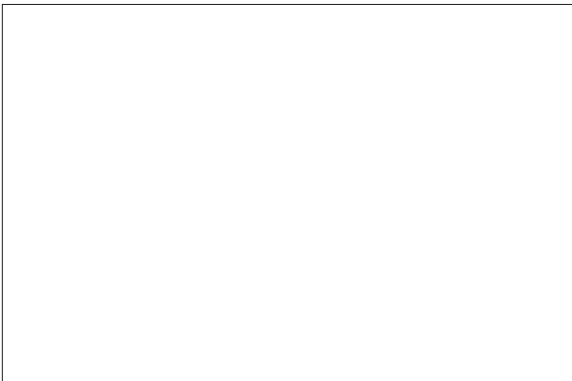
A selection of handles is also available in black or white metal, brass, black nickel, brushed chrome or wood (optional). All locking mechanisms are encased in galvanized steel reinforcement. Round-shaped metal handles are offered with interior/exterior grip.

A multipoint locking system (optional) provides optimum resistance and security to forced entry.

Custom designs



This patio door series is available in 2-panel, 3-panel and 4-panel configurations, with a wide range of energy-smart glazing options and decorative grilles.



P.H. Tech expertise and know-how have been at the forefront of the most significant door and window design innovations in North America, Europe and Asia since 1962.

Live better... feel better... with P.H. Tech high-performance door and window systems. Designed and produced to meet your every need.

System warranty

P.H. Tech Inc. provides a 20-year limited warranty on all residential uPVC profiles.

Manufacturer's warranty may offer coverage that is different than P.H. Tech's.



Test results for product manufactured according to P.H. Tech specifications

All-uPVC patio door	CGSB 82.1M89				AAMA / WDMA / CSA 101 / I.S.2 / A440-05
	A3	B4	C3	F2	SGD-R55

Tests performed by an independent laboratory.

Refer to the test report for detailed manufacturing specifications recommended by P.H. Tech.

P.H. Tech is a trademark licensed to P.H. Tech Inc. P.H. Tech Inc. manufactures uPVC extrusions, and window and door profiles. Windows and doors are produced, assembled, installed and distributed by authorized independent manufacturers and retailers. All efforts have been made to ensure that the information in this publication is accurate. However, P.H. Tech Inc. will accept no liability for any errors or omissions herein and reserves the right to discontinue, replace or alter product lines and product features without any obligation whatsoever.